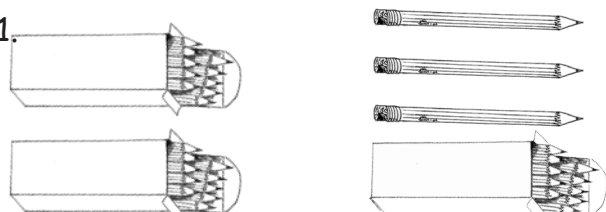

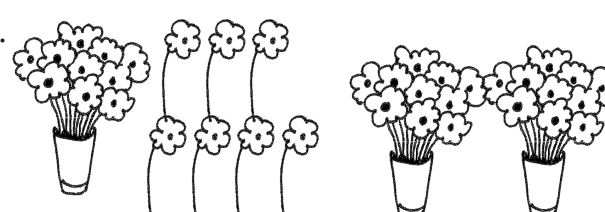

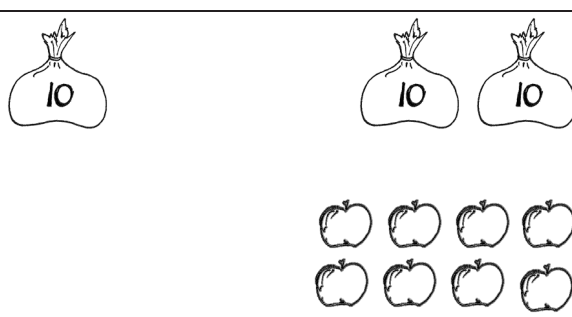





Name _____

Date _____

Fill in the missing numbers to match the picture. Complete the number bond to match.

<p>1. </p> <p style="text-align: center;">  $20 + 13 = \underline{\quad}$ </p>	<p>2. </p> <p style="text-align: center;">  $17 + \underline{\quad} = \underline{\quad}$ </p>
<p>3. </p> <p style="text-align: center;">  $\underline{\quad} + \underline{\quad} = \underline{\quad}$ </p>	<p>4. </p> <p style="text-align: center;">  $\underline{\quad} + \underline{\quad} = \underline{\quad}$ </p>

Draw using quick tens and ones. Complete the number bond and the number sentence.

<p>5.</p> <table border="1" style="display: inline-table; margin-right: 20px;"> <tr><th>tens</th><th>ones</th></tr> <tr><td>1</td><td>7</td></tr> </table> + <table border="1" style="display: inline-table; margin-left: 20px;"> <tr><th>tens</th><th>ones</th></tr> <tr><td>1</td><td>0</td></tr> </table> <div style="text-align: center;"> \wedge _____ + _____ = _____ </div>	tens	ones	1	7	tens	ones	1	0	<p>6.</p> <table border="1" style="display: inline-table; margin-right: 20px;"> <tr><th>tens</th><th>ones</th></tr> <tr><td>1</td><td>9</td></tr> </table> + <table border="1" style="display: inline-table; margin-left: 20px;"> <tr><th>tens</th><th>ones</th></tr> <tr><td> </td><td> </td></tr> </table> <div style="text-align: center;"> \wedge _____ + _____ = <u>39</u> </div>	tens	ones	1	9	tens	ones		
tens	ones																
1	7																
tens	ones																
1	0																
tens	ones																
1	9																
tens	ones																

Use arrow notation to solve.

<p>7.</p> <div style="text-align: center;"> 19 +10 \longrightarrow _____ </div>	<p>8.</p> <div style="text-align: center;"> 9 +30 \longrightarrow _____ </div>
<p>9.</p> <div style="text-align: center;"> _____ +10 \longrightarrow 38 </div>	<p>10.</p> <div style="text-align: center;"> _____ +20 \longrightarrow 31 </div>

Use the dimes and pennies to complete the place value charts.

11.

tens	ones	+	tens	ones	=	tens	ones